

SURF SPORTS TOWERS

by **EMINEO** ✓
ENGINEERING SERVICES

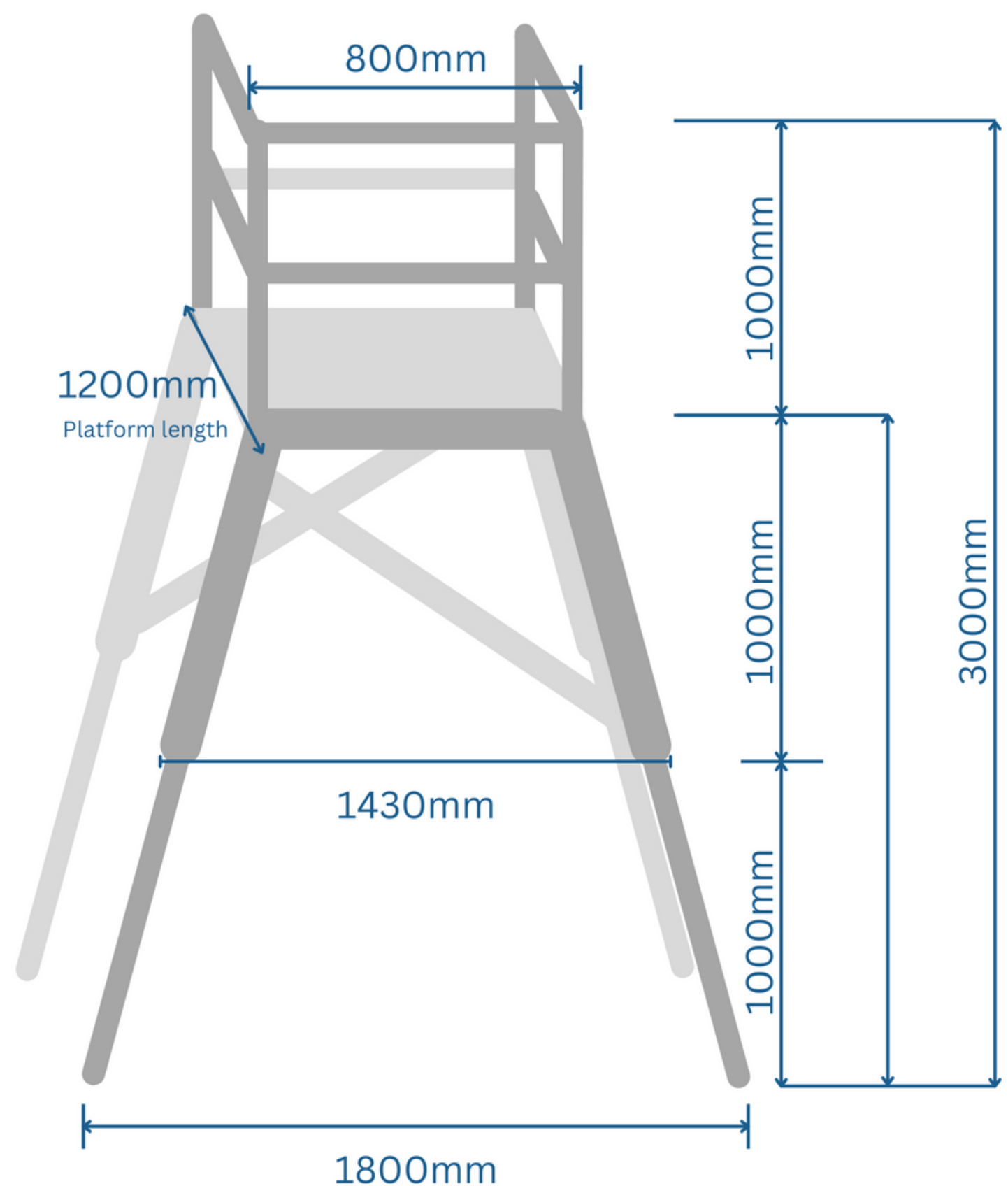
Designed for sport officiating, Emineo's surf sports towers let you see and be a part of all the action.



"We are really pleased with our new modular Beach/Finish Line Towers to be used at Surf Life Saving events. From the design concept stage, through to the manufacturing & delivery we found the Emineo team to be very knowledgeable and understanding of our requirements, which ensured our towers were fit for purpose and built to Australian Standard. The finished product is a modular tower that is easy to assemble/disassemble, transport and is safe and secure for our judges to stand on during competition."

Stuart McLaughlin
Surf Sports Coordinator
Surf Life Saving Western Australia

- Simple to assemble & dismantle
- Perfect for surf sports or any event that could use a vantage point, such as sports carnivals and daily events
- Mobile and modular design makes tower transportation a breeze
- Customisable to meet your needs - add a custom bracket for your camera, flag, or fishing rods!



Adjustable platform height range
Minimum - 1 metre
Extended height - 2 metres

CONTACT US FOR A QUOTE TODAY!

T (08) 9309 4611 E info@emineo.com.au A Unit 2, 40 Lancaster Road, Wangara WA 6065 emineo.com.au